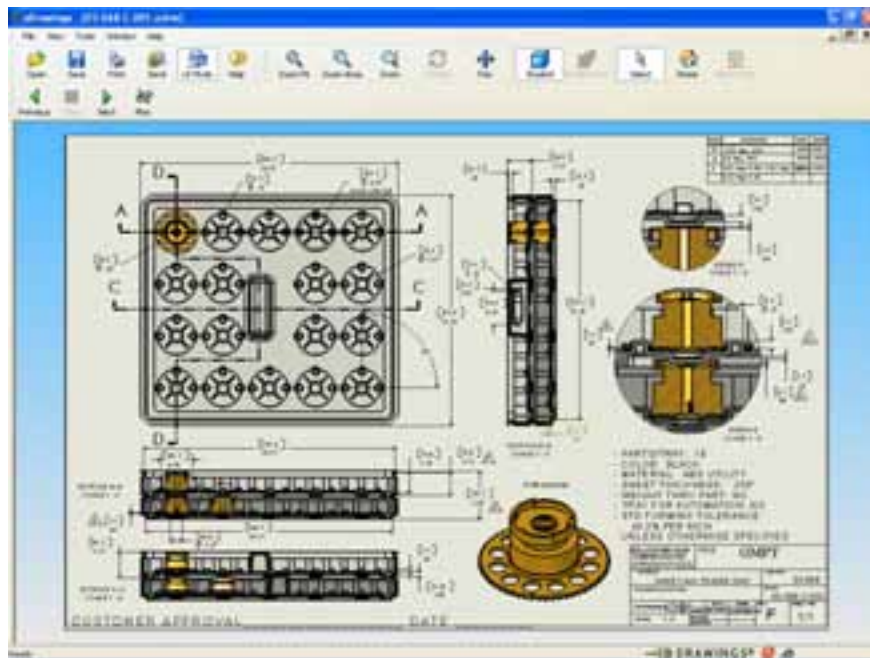
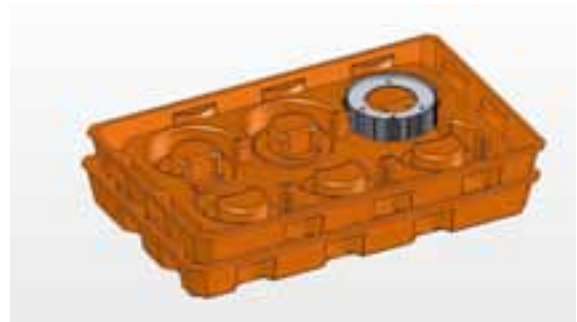


Complete Engineering Capabilities

We start with a thorough analysis of the application, and discuss all aspects of the system with the Customer and his Suppliers. Based on the information received we determine the pocket design, tray size, the type of tray best suited for the application, material, interface with automation equipment like grippers and tray positioners and then we engineer the tray. We submit a Quotation and Concept drawing; we submit the information in DWG or E-drawing. We can work with most software systems commonly used in the industry. After drawing approval we manufacture a "Sample Nest" to test part fit in the pocket and any interferences.



Section View



Section View

